

# Owner's Manual

## Rover HVE High Volume Extraction

LEGEND BRANDS, INC.

15180 Josh Wilson Road, Burlington, WA USA 98233

Fax: (360) 757-7950 Phone US: (360) 757-7776 [LegendBrandsRestoration.com](http://LegendBrandsRestoration.com)

*The Rover HVE is a high-performance extractor designed for commercial use in restorative drying, to extract water from flooded carpet and carpet pad.*

Patents: <http://www.LBpatents.com>

## READ AND SAVE THESE INSTRUCTIONS



### Safety Information



#### WARNING! ELECTRIC SHOCK HAZARD

##### WARNING! Unit must be grounded.

- Insert 3-prong plug on power cord into an electrically grounded outlet
- Do not use adaptor
- Never cut off third prong

##### WARNING! Keep motor and wiring dry.

- Do not operate in more than ½ inch of standing water.
- Do not operate in rain or snow. Use indoors only.
- Do not use hose or pressure washer to clean electrical compartment. Follow cleaning instructions in manual.
- If electrical components become wet, allow them to dry before using.

##### WARNING! Unplug unit before servicing.

##### WARNING! Wait for electricity to dissipate before opening control box.

**WARNING! Do not alter or modify your Rover HVE in any way. Use only replacement parts authorized by Legend Brands, Inc. Modifications or use of unapproved parts could create a hazard and will void your warranty. Contact your authorized Legend Brands, Inc. distributor for assistance.**

### SAFETY INSTRUCTIONS

- Read and understand manual before operating.
- Be careful not to run over, catch, or damage the cord.
- Turn off all controls before unplugging. Unplug when not in use. Do not unplug cord by pulling on cord; instead pull on plug only.
- Look out for obstructions or hazards before backing up or turning, use extra care when near stairs. Keep Children Away: Do not allow children to play with or around the unit. Be sure the unit is inaccessible to children when not attended.

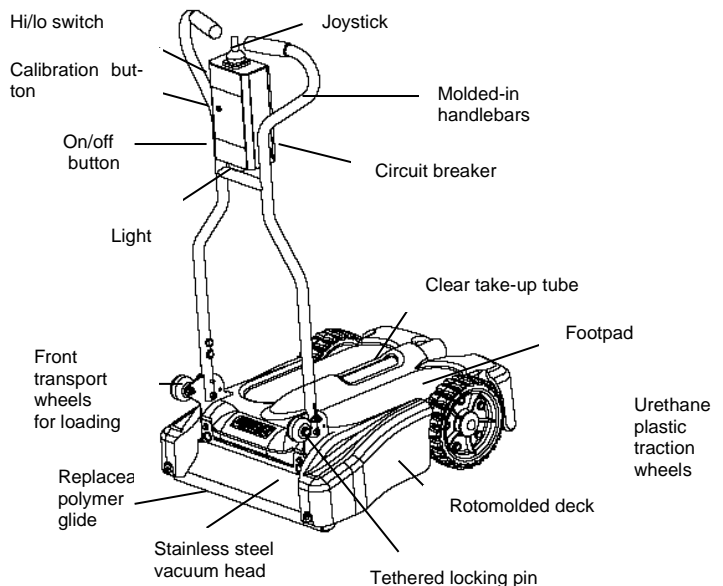
### INTRODUCTION

The Rover HVE is a high-pressure volume extractor for commercial use in water damage or flood damage restoration. It maximizes water removal from all kinds of carpet to facilitate faster drying.

The Rover HVE utilizes a replaceable polymer glide head with a smooth, self-healing edge that easily glides over the carpet. The Rover is propelled by two 0.15 HP electric motors through operation of the joystick.

- Separate drive wheels allow the Rover HVE to maneuver around corners with ease.
- Replaceable polymer glide moves smoothly over all carpets
- The joystick is rated for 10 million cycles.
- Two-speed switch optimizes extraction effectiveness.
- Collapsible handle for space-saving storage and ease of transport.
- Front loading wheels make it easy to transport the Rover HVE from the van to the job and back.
- LED light illuminates the floor in front of the Rover HVE.
- Extraction can be visually monitored through the clear take-up tube.

### PARTS IDENTIFICATION (Shown, below)

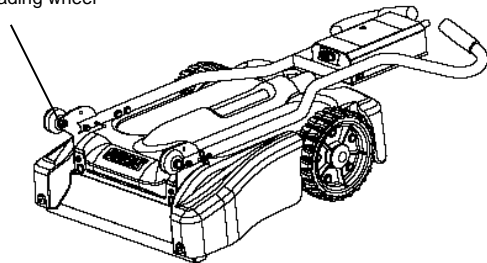


# **OPERATING INSTRUCTION**

## **Setting Up**

1. If there is standing water over ½ in. deep, remove it first with a submersible pump or carpet wand. **NOTICE!** Do not operate the Rover HVE in standing water over ½ in. deep to keep from permanently damaging the motor.
2. Before using the Rover HVE, remove the "easy water" (water that can be easily removed from the surface) with a standard wand connected to a portable or truckmount extraction machine.
3. Stand the Rover HVE upright. Remove the cord from its storage compartment on the bottom of the unit. Next, lay the unit on a flat surface with front loading wheels facing up (shown, below).

Front loading wheel



Place with front loading wheels facing up.

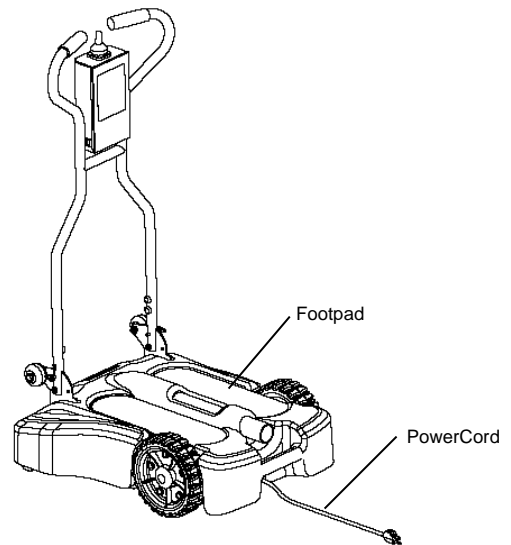
While supporting the handle with one hand and removing the tethered locking pins with the other, raise the handle to the upright position, and replace the pins.

4. Connect your portable or truckmount extraction machine hose to the open end of the clear take-up tube on the Rover HVE. Ensure the hose is securely connected to the extraction machine before turning the Rover HVE on. Use a hose with the largest diameter (2 in.) and the shortest length possible.

**CAUTION!** Before plugging in the Rover HVE, make sure the joystick is in center (neutral) position. Now plug in the unit, and then turn it on using the lower switch found on the right side of the control box near the joystick. The light indicates whether or not the Rover HVE is on. **Note:** Use a super-duty truckmount or portable extraction machine to extract the maximum amount of water.

## **Getting Started**

1. To extract water from carpet, with or without pad or underlay-ment, position the Rover HVE on the carpet.
2. **NOTICE!** Extract on carpeted surfaces only. Not for use on hard surfaces. Check extraction head for burrs or sharp edges; if they occur, replace polymer glide head. Do not operate without glide in place.
3. Keep both feet flat on the center of the footpads (shown above, right) for best results. Do not lean on the handlebars or on the joystick. Begin extracting on low speed (for first pass) to maximize extraction effectiveness.



Stand with feet on center of footpads.

4. Hold both handles for good balance. Use minimal force when operating the joystick, using one or two fingers. Move the joystick lever forward to propel the Rover HVE forward, and release it to make the unit stop. Move the joystick lever toward you to go backwards. Move the joystick left or right to turn in the direction desired.

**CAUTION!** Always look in the direction you are driving. Take special care when operating near stairways or other obstacles. Do not run over the power cord, as it could damage the cord and create an electrical hazard.

## **Extraction Tips**

**NOTICE!** Extract on carpeted surfaces only to protect the extraction head. Do not let the extraction head contact the sharp pins of tack strip. Do not run the head over metal strips or hard-surface floors. Burrs or sharp edges on the polymer glide can snag yarns and damage carpet fibers.

**NOTICE!** Guard against carpet delamination: Do not extract carpet excessively. Stop extracting when the unit is removing little water. Do not allow the extraction head to buckle, bend, or crease loose carpet.

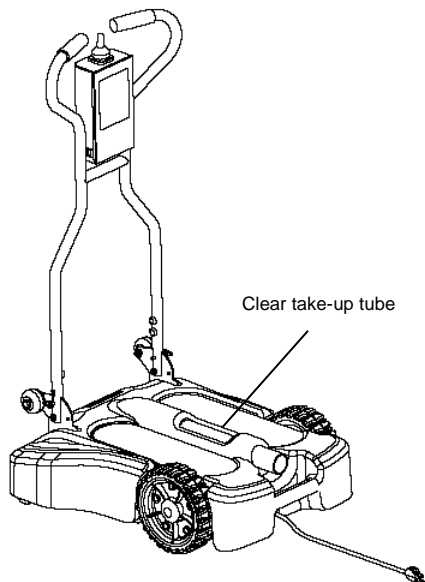
**NOTICE!** Do not allow the unit to strike or rub against base-board, tack strips or drywall. Near fragile materials, extract with a carpet wand only.

Tether the hose and cord together with Velcro® strips to allow the extraction hose and power cord to drag behind you and out of your way while the unit is moving.

**NOTICE!** Don't run over hose and cord!

1. For first pass, start unit on low speed to maximize extraction. Begin just inside the entryway where your extraction hose enters, and work your way into the room.

- Follow a clear pattern, so you cover all floor surfaces but do not repeat any area unnecessarily.
- While extracting, create an overlapping pattern for best results. Overlap each pass by about half the width of the previous pass.
- To turn the Rover HVE in another direction, gently move the joystick in the direction needed. Do not do “wheelies” or jerk the unit sideways; this may cause delamination damage to carpet.
- The Rover HVE will drive straight ahead, straight backward and turn in a full circle. Ideally, extract with the grain of the carpet. If the Rover HVE begins to track (i.e. stops moving in the direction the joystick is moved) it needs to be re-calibrated. To do this, push the joystick forward and press the calibration button on the product label side of the control box at the same time. (The calibration button is shown in the drawing on page 1; look for mark indicating button location in the center of the “H” on the product label).
- Run the unit on Low speed if carpet and pad are extremely wet, then on High speed as the carpet and pad become less wet.
- From time to time, check the clear take-up tube leading to the hose connection (shown, below). When the tube indicates that only a small amount of water is being removed, stop extracting to minimize any carpet delamination.



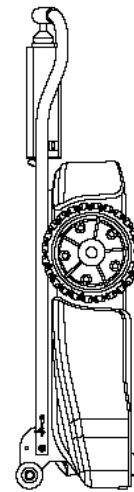
Check clear take-up tube regularly during extraction.

### Transporting and Storing

- To prepare the Rover HVE for transporting, loading into a van or for storage, first lay it on a flat surface (with small front loading wheels facing up). While supporting the handle with one hand, pull out the pins on each side with the other hand. Next fold the handle all the way down to the horizontal position, then replace the pins to lock the handle down. Pick up unit by handlebars and place unit upright onto the small front-loading wheels. Wrap the power cord around your arm then place in the cord compartment located under the unit. Use the small front loading wheels for ease of transporting while using the molded-in handle to assist in loading or carrying the unit.

- When transporting in a van, secure the Rover HVE against the wall (Shown, below) and strap it into place.

**NOTICE!** Store securely in an upright position to avoid any damaging impact to the motor, gears, and other internal parts.



Secure the Rover's urethane plastic traction wheels against wall and then strap into place.

Store securely in upright position.

### ELECTRICAL CONNECTIONS

This unit is designed to operate on a 115V/60 Hz electrical connection. Make sure that the electrical outlet is grounded and that all safety precautions (outlined on page 1 of this manual) are taken.

### **WARNING**



### **ELECTRIC SHOCK HAZARD**

### **MOVING PARTS HAZARD**

**WARNING!** Turn off and unplug unit before servicing or clearing obstructions.

**WARNING!** Wait for electricity to dissipate before opening control box.

### MAINTENANCE

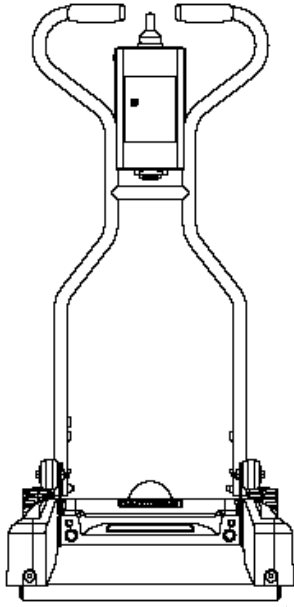
Always turn off the power before performing maintenance procedures. Unplug the unit before performing any service procedures.

#### **Monthly Maintenance**

**INSPECT ELECTRICAL SYSTEM:** Inspect the electrical cord and plug for damage, and repair or replace if needed.

**INSPECT EXTRACTION EDGES FOR DAMAGE:** Before and after each use, check the edges of the polymer glide (shown below) for burrs or sharp edges that could catch a yarn or damage

carpet fibers. Replace polymer glide if damaged. Order replacement glides from your local distributor. If the stainless extractor head is accidentally damaged, sand or file lightly to smooth.



Polymer glide

Check edges of polymer glide for damage.

**INSPECT POLYMER GLIDE:** Check to make sure that the holes in the polymer glide are not clogged or damaged with carpet fiber, pet hair, large pebbles, etc.

**KEEP UNIT CLEAN:** To clean the Rover HVE, use soap and water on all parts of the base, including the cover, and the insides of the extraction head and the hose connection.

**WARNING!** Do not allow water into the control box or motors through openings like the access holes for the switches. Wipe the exterior of the control box to clean.

**Six-Month Maintenance**

**INSPECT ELECTRICAL SYSTEM:** For maintenance contact an Authorized Service Center, or the Legend Brands, Inc. Service Department at 888-867-3235 or (360) 757-7776.

**CHECK DRIVE COMPONENTS:** Check for corrosion or misalignment and inspect the entire drive system.

**CAUTION!** Watch for pinch points and sharp burrs when handling the sheet metal cover, careless handling could result in an accident. Call an Authorized Service Center or Legend Brands, Inc. Service for any questions or assistance.

**Periodic Maintenance (Every 1–2 years or after 1200–1500 hours of use, whichever comes first)**

**REPLACE BRUSHES IN DRIVE MOTORS.** Have Authorized Service Center replace brushes in motors to protect them.

**Troubleshooting**

The polymer glide can be easily cleared if it becomes obstructed. If the opening of the polymer glide becomes clogged use a wire to dislodge obstruction.

For all other troubleshooting and maintenance questions, contact an Authorized Service Center, or the Legend Brands, Inc. Service Department at 888-867-3235 or (360) 757-7776

**SPECIFICATIONS**

Model	Rover HVE F354
Use weight	67 lbs.   30 kg
Extraction path width	19.75 in.   50.2 cm)
Dimensions (H x W xD)	45.7 x 22.0 x 27.6 in. 116.1 x 55.9 x 70.1 cm
Folded dimensions (H x W xD)	40.5 x 22.0 x 10.7 in. 102.9 x 55.9 x 27.2 cm
Amp draw	3.0 amps (1.5 DC)
Power	3.0 amps (1.5 DC), 115 volts 110 W   0.148 HP each motor
Cord length	50 ft.   7.6 m
Operator weight limit	300 lbs.   136 kg

Specifications are subject to change without notice. Some values may be approximate.



**WARNING:** This product and other substances that may become airborne from its use contain chemicals, including lead and phthalates, known to the State of California to cause cancer, birth defects, or other reproductive harm. For more information, go to [P65Warnings.ca.gov](http://P65Warnings.ca.gov)

**FOR PARTS AND SERVICE CALL YOUR LOCAL DISTRIBUTOR or the Legend Brands, Inc. Service Department at 888-867-3235 or (360) 757-7776**

## **Manual del propietario**

# **Legend Brands, Inc. Rover High Volume Extraction (HVE)**

**LEGEND BRANDS, INC.**

15180 Josh Wilson Road, Burlington, WA USA 98233

Fax: 360-757-7950 Teléfono en EE.UU.: 360-757-7776 [LegendBrandsRestoration.com](http://LegendBrandsRestoration.com)

*Rover HVE es un extractor de alto rendimiento diseñado para uso comercial en secado de restauración, para extraer agua de alfombras inundadas y almohadillas de alfombra.*

Patents : <http://www.LBpatents.com>

## **LEA Y GUARDE ESTAS INSTRUCCIONES**



### **INFORMACIÓN DE SEGURIDAD**



#### **PELIGRO DE DESCARGA ELÉCTRICA**

**¡ADVERTENCIA! La unidad debe estar conectada a tierra.**

- La adición tapón de 3 puntas en la cuerda del poder en un molió eléctricamente salida
- No use un adaptador
- No corte nunca la tercera clavija

**¡ADVERTENCIA! Mantenga secos el motor y los cables.**

- No lo opere a más de ½ pulgada de distancia de agua estancada.
- No lo opere bajo la lluvia o a la nieve. Utilice dentro sólo.
- No use una manguera ni un compresor de agua para limpiar el compartimiento eléctrico. Siga las instrucciones de limpieza de este manual.
- Si los componentes eléctricos se mojan, deje que se sequen antes de su uso.

**WARNING! Unplug unit before servicing.**

**¡ADVERTENCIA! Desenchufe la unidad antes de realizar el mantenimiento.**

**¡ADVERTENCIA! No altere ni modifique su Rover HVE de ninguna manera. Utilice únicamente repuestos autorizados por Legend Brands, Inc. El uso o modificación de repuestos no aprobados podría ocasionar algún peligro y anulará su garantía. Para solicitar asistencia, comuníquese con su distribuidor autorizado de Legend Brands, Inc..**

#### **INSTRUCCIONES DE SEGURIDAD**

- Lea y comprenda el manual antes de operar.
- Tenga cuidado de no pisar, enganchar o dañar el cable.

- Apague todos los controles antes de desenchufar. Quite cuando no en uso. No desenchufe el cable tirando de él, en su lugar, sólo tire del enchufe.
- Verifique si existen obstrucciones o peligros antes de retroceder o girar, y tenga sumo cuidado cerca de escaleras.
- Manténgalo alejado de los niños: No permita que los niños jueguen con la unidad o alrededor de ella. Asegúrese de que los niños no tengan acceso a la unidad cuando esté funcionando sin su atención personal.

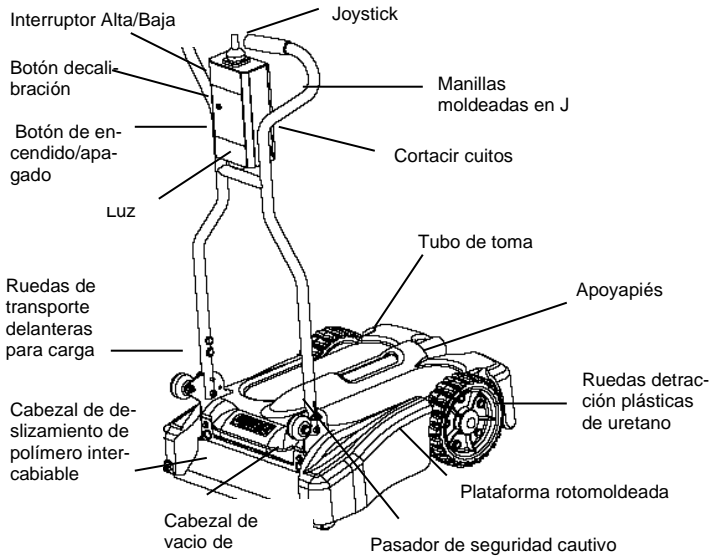
#### **INTRODUCCIÓN**

El Rover HVE es un extractor de volumen de alta presión de uso comercial para restaurar daños provocados por el agua o inundaciones. Maximiza la remoción de agua de todo tipo de alfombras para agilizar el secado.

El Rover HVE utiliza un cabezal de deslizamiento de polímero intercambiable con un suave borde autoregenerable que se desliza fácilmente por la alfombra. El Rover se impulsa con dos motores eléctricos de 0,15 HP mediante la operación del joystick.

- Ruedas de tracción separadas permiten al Rover HVE maniobrar con facilidad en esquinas.
- Polímero reemplazable se desliza mueve lisamente más de todas alfombras.
- El joystick tiene clasificación para 10 millones de ciclos.
- El interruptor de dos velocidades optimiza la eficacia de la extracción.
- Manilla plegable que permite ahorrar espacio de almacenamiento y facilitar su transporte.
- Las ruedas de carga delanteras facilitan transportar el Rover HVE desde la camioneta a la obra y viceversa.
- La luz LED ilumina el piso delante del Rover HVE.
- La extracción se controla mediante el tubo de toma transparente.

## IDENTIFICACIÓN DE PIEZAS (se muestran a continuación)

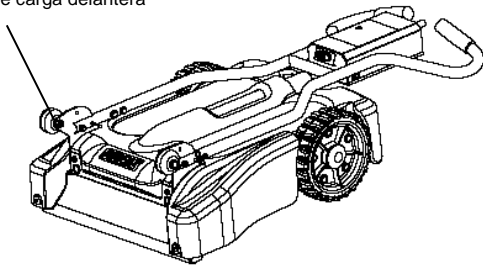


## INSTRUCCIONES DE USO

### Instalación

1. Si existe agua estancada que tenga más de ½ in. de profundidad, extráigala primero con una bomba sumergible o varilla para alfombra. ¡AVISO! No opere el Rover HVE en agua estancada que tenga más de ½ in. de profundidad para evitar daños permanentes al motor.
2. Antes de usar el Rover HVE, extraiga el "agua fácil" (agua que se pueda remover fácilmente de la superficie) con una varilla estándar conectada a una máquina de extracción portátil o montada en camión.
3. Coloque el Rover HVE en posición vertical. Retire el cable de su compartimiento de almacenamiento en la parte inferior de la unidad. Luego, coloque la unidad sobre una superficie plana con las ruedas de carga delanteras orientadas hacia arriba (se muestra a continuación).

Rueda de carga delantera



Ruedas de carga delanteras orientadas hacia arriba.

Mientras sostiene la manilla con una mano y retira los pasadores de seguridad cautivos con la otra, suba la manilla hasta que quede en posición vertical y vuelva a colocar los pasadores.

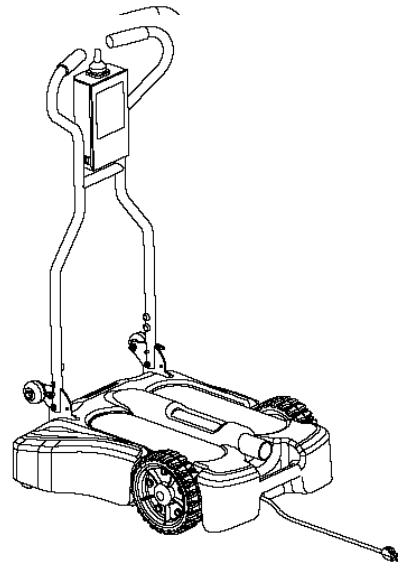
4. Conecte la manguera de la máquina de extracción portátil o montada en camión al extremo abierto del tubo de toma transparente del Rover HVE. Asegúrese de que la manguera esté firmemente conectada a la máquina de extracción

antes de encender el Rover HVE. Use una manguera que tenga el mayor diámetro (2 in. ) y el menor largo posible.

**¡PRECAUCIÓN!** Antes de enchufar el Rover HVE, asegúrese de que el joystick se encuentre en la posición central (neutro). Luego, enciéndalo usando el interruptor inferior que se encuentra al lado derecho de la caja de control cerca del joystick. La luz indica si el Rover HVE está encendido o no. Nota: Use una máquina de extracción montada en camión o portátil de servicio pesado para extraer el máximo volumen de agua.

### Introducción

1. Para extraer el agua de la alfombra, con o sin almohadilla o contrapiso, coloque el Rover HVE sobre la alfombra.
2. **¡AVISO!** Realice la extracción sólo sobre superficies alfombradas. No está diseñado para su uso en superficies duras. Compruebe que el cabezal de extracción no presente rebabas ni bordes filosos; si es así, cambie el cabezal de deslizamiento de polímero. No lo opere sin el cabezal de deslizamiento instalado.
3. Mantenga ambos pies planos al centro de los apoyapiés (como se muestran a continuación, próxima página) para obtener resultados óptimos. No se apoye sobre las barras de la manilla o sobre el joystick. Comience la extracción a baja velocidad (para la primera pasada) a fin de maximizar la eficacia de la extracción.



Párese con los pies al centro de los apoyapiés.

4. Sujétese de ambas manillas para mantener un buen equilibrio. Use la fuerza mínima para operar el joystick, utilizando uno o dos dedos. Mueva la palanca del joystick hacia delante para impulsar el Rover HVE en esa dirección y suéltela para detener la unidad. Mueva la palanca del joystick hacia usted para retroceder. Mueva el joystick hacia la izquierda o hacia la derecha para girar en la dirección que desee.

**¡PRECAUCIÓN!** Siempre mire hacia la dirección en que conduce. Tenga cuidado especial al operar cerca de escaleras u otros obstáculos. No pase sobre el cable de alimentación, ya que se puede dañar y crear un peligro eléctrico.

### Consejos de extracción

¡AVISO! Realice la extracción sólo en superficies alfombradas para proteger el cabezal de extracción. No permita que el cabezal de extracción entre en contacto con las puntas filosas de la banda de tachuelas. No pase el cabezal sobre bandas metálicas o pisos de superficie dura. Las rebabas o los bordes filosos en el cabezal de deslizamiento de polímero pueden rasgar hilos y dañar las fibras de la alfombra.

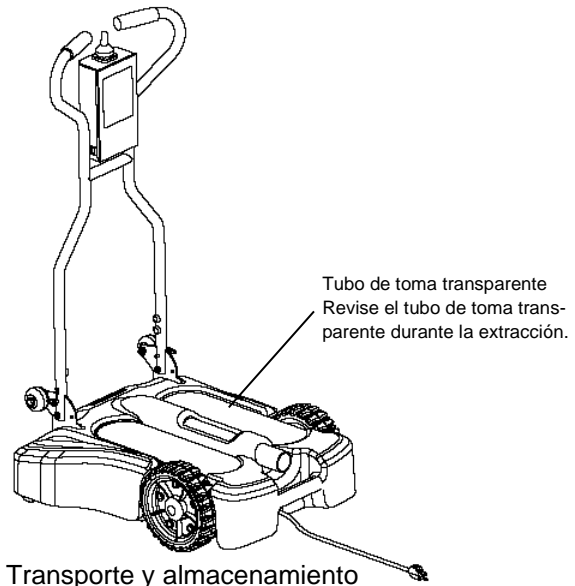
¡AVISO! Tome precauciones contra la delaminación de la alfombra: No realice una extracción excesiva en la alfombra. Detenga la extracción cuando el volumen de agua que extraiga la unidad sea pequeño. No permita que el cabezal de extracción doble, pliegue o arrugue alfombras que estén sueltas.

¡AVISO! No permita que la unidad golpee o roce molduras, bandas de tachuelas o muros de piedra en seco. Cerca de materiales frágiles, realice la extracción sólo con una varilla para alfombra.

Fije la manguera y el cable con cintas de Velcro® para permitir que la manguera de extracción y el cable de alimentación se arrastren detrás suyo y sin entorpecerlo mientras la unidad esté en movimiento.

#### ¡AVISO! ¡No pase sobre la manguera ni el cable!

1. Para la primera pasada, encienda la unidad a baja velocidad para maximizar la extracción. Comience justo dentro de la entrada por donde ingrese la manguera de extracción y avance hacia dentro de la habitación.
2. Siga un patrón claro, de modo que pueda abarcar todas las superficies del suelo sin repetir ninguna zona sin necesidad.
3. Mientras realice la extracción, cree un patrón de superposición para obtener mejores resultados. Superponga cada pasada aproximadamente en la mitad del ancho de la pasada anterior.
4. Para girar el Rover HVE en otra dirección, mueva suavemente el joystick en la dirección necesaria. No se balancee sobre las ruedas traseras ni dé un tirón de lado a la unidad, ya que puede provocar daños por delaminación a la alfombra.
5. El Rover HVE avanza de manera recta, retrocede de manera recta y gira en un círculo completo. Dentro de lo posible, realice la extracción en el sentido de la fibra de la alfombra. Si el Rover HVE comienza a dejar huellas (es decir, deja de moverse en la dirección en que se mueve el joystick) se debe volver a calibrar. Para hacerlo, empuje el joystick hacia delante y presione el botón de calibración que se encuentra al otro lado de la caja de control al mismo tiempo (el botón de calibración se muestra en el dibujo de la página 6; busque la marca que indica la ubicación del botón en el centro de "H" en la etiqueta del producto).
6. Haga funcionar la unidad a baja velocidad si la alfombra y la almohadilla están extremadamente mojadas, y luego, a alta velocidad a medida que las mismas se vayan secando.
7. De vez en cuando, revise el tubo de toma transparente que conduce a la conexión de la manguera (se muestra a continuación). Cuando el tubo indica que se remueve sólo un pequeño volumen de agua, deje de realizar la extracción para minimizar cualquier delaminación de la alfombra.

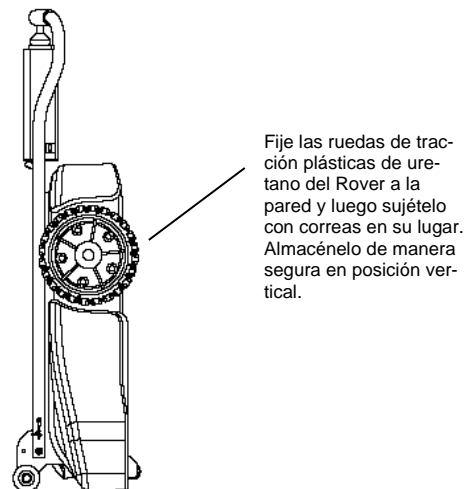


#### Transporte y almacenamiento

Para preparar el Rover HVE para su transporte, carga en una camioneta o almacenamiento, primero colóquelo sobre una superficie plana (con las ruedas de carga delanteras pequeñas orientadas hacia arriba). Mientras sujeta la manilla con una mano, con la otra, quite los pasadores que se encuentran a cada lado. Luego pliegue completamente la manilla hacia abajo hasta que quede en posición horizontal y luego vuelva a colocar los pasadores para bloquear la manilla. Levante la unidad por las manillas y colóquela de manera vertical sobre las ruedas de carga delanteras pequeñas. Enrolle el cable de alimentación alrededor de su brazo y luego colóquelo en el compartimiento del cable que se encuentra debajo de la unidad. Use las ruedas de carga delanteras pequeñas para facilitar el transporte mientras usa la manilla moldeada para que le sirva de ayuda al cargar o transportar la unidad.

Al transportarlo en una camioneta, fije el Rover HVE a la pared (se muestra a continuación) y sujételo con correas en su lugar.

**¡AVISO! Almacénelo de manera segura en posición vertical para evitar cualquier impacto dañino para el motor, los engranajes y otras piezas internas.**



## CONEXIONES ELÉCTRICAS

La unidad está diseñada para funcionar con una conexión eléctrica de 115 V/60 Hz. Asegúrese de que el tomacorriente esté conectado a tierra y de que se tomen todas las precauciones de seguridad (se describen en la página 1 de este manual).



## PELIGRO DE DESCARGA ELÉCTRICA PELIGRO DE PIEZAS MÓVILES

**¡ADVERTENCIA!** Apague y desenchufe la unidad antes de realizar mantenimiento o quitar obstrucciones.

**¡ADVERTENCIA!** Espere que se disipe la electricidad antes de abrir la caja de control.

## MANTENIMIENTO

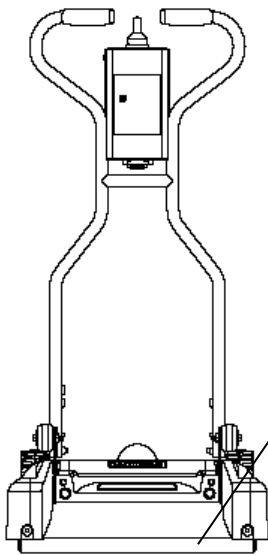
Desconecte siempre el suministro eléctrico antes de llevar a cabo cualquier procedimiento de mantenimiento. Desenchufe la unidad antes de efectuar cualquier procedimiento de revisión.

### Mantenimiento mensual

**INSPECCIÓN DEL SISTEMA ELÉCTRICO:** Inspeccione el cable y el enchufe eléctrico para saber si existen daños y repárelos o reemplácelos si fuese necesario.

**INSPECCIÓN DE DAÑOS EN LOS BORDES DE EXTRACCIÓN:** Antes y después de cada uso, compruebe que los bordes del cabezal de deslizamiento de polímero (se muestra a continuación) no presenten rebabas o bordes filosos que pudiesen enganchar un hilo o dañar las fibras de la alfombra. Cambie el cabezal de deslizamiento de polímero si está dañado. Pida cabezales de desplazamiento de repuesto a su distribuidor local.

Si el cabezal de acero del extractor se daña accidentalmente, líjelo o límelo suavemente para alisarlo.



**Cabezal de deslizamiento de polímero.** Compruebe que los bordes del cabezal de deslizamiento de polímero no presenten daños.

**INSPECCIÓN DEL CABEZAL DE DESLIZAMIENTO DE POLÍMERO:** Verifique que los orificios del cabezal de deslizamiento de polímero no estén obstruidos o dañados con fibra de alfombra, pelo de mascotas, guijarros grandes, etc.

**MANTENGA LIMPIA LA UNIDAD:** Para limpiar el Rover HVE, use agua y jabón en todas las piezas de la base, lo que incluye la cubierta y las piezas interiores del cabezal de extracción y la conexión de la manguera.

**¡ADVERTENCIA!** No permita que ingrese agua a la caja de control o a los motores por aberturas tales como los orificios de acceso de los interruptores. Limpiar la parte exterior de la caja de control con un paño.

### Mantenimiento a los seis meses

**INSPECCIÓN DEL SISTEMA ELÉCTRICO:** para obtener mantenimiento, comuníquese con un centro de servicio autorizado o con el departamento de servicio técnico de Legend Brands, Inc. en el 888-867-3235 ó 360-757-7776.

**REVISIÓN DE LOS COMPONENTES DE LA TRANSMISIÓN:** compruebe que no exista corrosión o desalineación e inspeccione todo el sistema de transmisión.

**¡PRECAUCIÓN!** Observe si existen puntos donde se puedan producir rasgaduras y rebabas filosas al manipular la cubierta de metal laminado; la manipulación descuidada podría provocar un accidente. Llame a un centro de servicio autorizado o Servicio Técnico de Legend Brands, Inc. para realizar cualquier pregunta u obtener asistencia.

### Mantenimiento periódico (cada 1 a 2 años o después de 1200 a 1500 horas de uso, lo que ocurra primero)

**CAMBIE LOS CEPILLOS EN LOS MOTORES DE TRANSMISIÓN.** Solicite al centro de servicio autorizado que cambie los cepillos de los motores para protegerlos.

### SOLUCIÓN DE PROBLEMAS

El cabezal de deslizamiento de polímero se puede despejar fácilmente si se obstruye. Si se obstruye la abertura del cabezal de deslizamiento de polímero, use un alambre para despejar la obstrucción. Para todas las otras preguntas de solución de problemas y mantenimiento, comuníquese con un centro de servicio autorizado o con el Departamento de Servicio Técnico de Legend Brands, Inc. en el 888-867-3235 ó 360-757-7776.

### SPECIFICATIONS

Model	Rover HVE F354
Peso de equipo	67 lbs.   30 kg
Extraction path width	19.75 in.   50.2 cm)
Dimensiones (H x W x D)	45.7 x 22.0 x 27.6 in. 116.1 x 55.9 x 70.1 cm
Plegado (H x W x D)	40.5 x 22.0 x 10.7 in. 102.9 x 55.9 x 27.2 cm
Control de velocidad	2 speed switch
Power	3.0 amps (1.5 DC), 115 volts 110 W   0.148 HP cada motor
Longitud del cable	50 ft.   7.6 m
Límite Del Peso Del Operador	300 lbs.   136 kg

Las especificaciones están sujetas a cambio sin previo aviso. Algunos valores pueden ser aproximados.



**ADVERTENCIA:** Este producto y otras sustancias que pueden desprenderse del aire por su uso contienen productos químicos, entre ellos plomo y ftalatos, que el estado de California sabe que causan cáncer, defectos congénitos u otros daños durante la gestación. Para obtener más información, visite [P65Warnings.ca.gov](http://P65Warnings.ca.gov).

**Para obtener piezas y servicio técnico, llame a su distribuidor local o al Departamento de Servicio Técnico de Legend Brands, Inc., al 888-867-3235 ó 360-757-7776**



## Manuel de l'utilisateur – Legend Brands, Inc. Rover HVE Extraction à grand débit

LEGEND BRANDS, INC.

15180 Josh Wilson Road, Burlington, WA USA 98233

Fax: (360) 757-7950 Phone US: (360) 757-7776 [LegendBrandsRestoration.com](http://LegendBrandsRestoration.com)

*Le Rover HVE est un extracteur à grand débit conçu pour des utilisations commerciales visant l'assèchement de conservation pour extraire l'eau de tapis et de sous-tapis inondés.*

Patentes: <http://www.LBpatents.com>

### LIRE ET CONSERVER CES INSTRUCTIONS



#### INFORMATIONS SUR LA SÉCURITÉ



#### AVERTISSEMENT

#### DANGER D'ÉLECTROCUTION

##### AVERTISSEMENT ! L'appareil doit être mis à terre

- L'insertion bouchon de 3 broches sur alimente la corde dans une sortie électriquement fondé
- Ne pas utiliser d'adaptateur
- Ne jamais éliminer la troisième fiche

##### WARNING! Keep motor and wiring dry.

- Ne pas faire fonctionner dans plus de ½ pouce (1,27 cm) d'eau stagnante.
- Ne pas faire fonctionner dans la pluie ou la neige. Utiliser à la maison seulement.
- Ne pas utiliser le boyau ou le nettoyeur haute pression pour laver le compartiment électrique. Suivre les instructions de nettoyage du manuel.
- Si les composantes électriques sont mouillées, attendre qu'elles soient sèches avant d'utiliser l'appareil.

##### AVERTISSEMENT ! Débrancher l'appareil avant l'entretien.

##### AVERTISSEMENT ! Attendre que l'électricité se dissipe avant d'ouvrir le boîtier de commande.

**¡ADVERTENCIA! No altere ni modifique su Rover HVE de ninguna manera. Utilice únicamente repuestos autorizados por Legend Brands, Inc. El uso o modificación de repuestos no aprobados podría ocasionar algún peligro y anulará su garantía. Para solicitar asistencia, comuníquese con su distribuidor autorizado de Legend Brands, Inc..**

#### CONSIGNES DE SÉCURITÉ

- Lire et comprendre le manuel avant de faire fonctionner l'appareil.

- Éviter de passer sur le fil, de s'y accrocher ou de l'endommager.
- Annuler toutes les commandes avant de débrancher l'appareil. Débrancher quand pas dans l'usage.
- Ne pas débrancher l'appareil en tirant sur le fil, tirer plutôt sur la fiche tripolaire.
- Assurez-vous qu'il n'y a pas d'obstructions ou de risque de danger avant de reculer ou de faire tourner l'appareil. Faire particulièrement attention près des escaliers.
- Éloignez les enfants : ne permettez pas aux enfants de jouer près de l'appareil. Assurez-vous que un appareil laissé sans surveillance soit inaccessible aux enfants.

#### INTRODUCTION

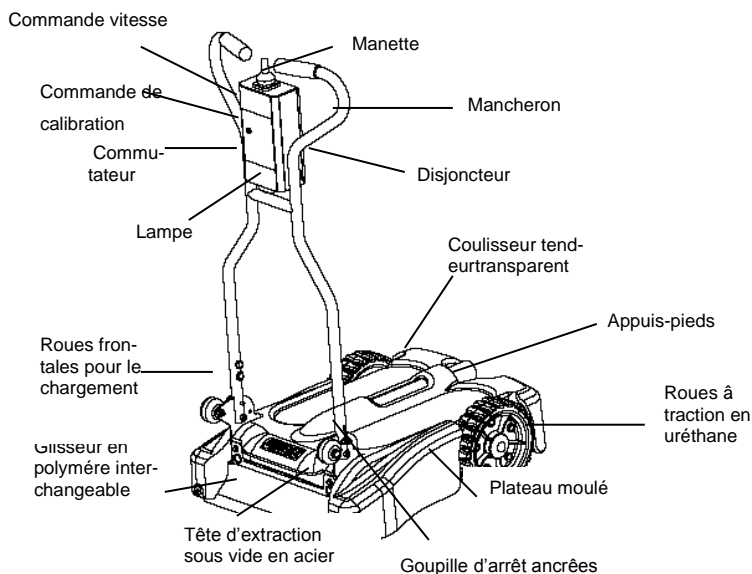
Le Rover HVE est un extracteur à grand débit conçu pour des utilisations commerciales de restauration à la suite de dégâts d'eau ou d'inondation. Il optimise l'extraction de l'eau de toutes sortes de tapis pour favoriser le séchage.

Le Rover HVE a un glisseur en polymère interchangeable muni d'une tête autogénératrice qui roule facilement sur les tapis.

Le Rover est actionné par une manette qui contrôle deux moteurs électriques de 0,15 HP.

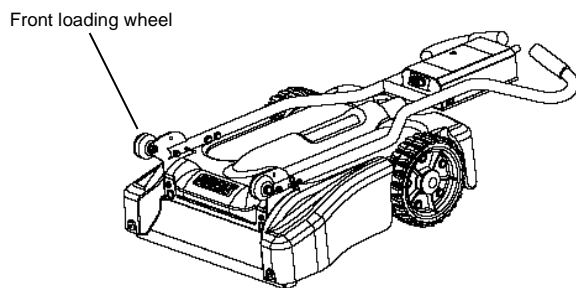
- Ses roues motrices permettent au Rover HVE de manœuvrer les coins facilement.
- Le polymère remplaçable plane le mouvement facilement par-dessus toutes moquettes.
- La manette est calibrée à 10 millions cycles.
- L'interrupteur à deux vitesses optimise l'extraction.
- La poignée escamotable permet un rangement efficace et facilite le transport de l'appareil.
- Les roues frontales facilitent le transport du Rover HVE du camion au site et vice-versa.
- Une lampe à DEL illumine le plancher devant le Rover HVE.
- On surveille l'extraction par le coulisseur tendeur transparent.

## Identification des pièces (voir ci-dessous)



## MODE D'EMPLOI

### Installation



1. S'il y a plus de ½ in. (1,27 cm) d'eau stagnante, l'aspirer d'abord avec une pompe submersible ou avec un tube rallonge pour tapis. AVIS ! Ne pas faire fonctionner le Rover HVE dans plus de ½ pouce (1,27 cm) d'eau stagnante pour éviter d'endommager totalement le moteur.
2. Avant d'utiliser le Rover HVE, enlever l'eau qui peut facilement être supprimée de la surface avec un tube standard attaché à un appareil d'extraction portable ou fixé sur camion.
3. Mettre le Rover HVE debout. Enlever le fil de son compartiment de rangement à la base de l'appareil. Ensuite, placer l'appareil sur une surface plane avec les roues frontales sur le dessus (voir ci-dessous). Supportant la poignée d'une main et retirant les goupilles d'arrêt ancrées de l'autre, relever la poignée et replacer les goupilles d'arrêt.
4. Connecter le boyau de votre appareil d'extraction portable ou fixé sur camion au coulisseur tendeur transparent du Rover HVE. S'assurer que le boyau est solidement attaché à l'appareil d'extraction avant de faire fonctionner le Rover HVE. Utiliser un boyau au diamètre le plus grand (2in. , 5,08 cm) et le plus court possible.

**ATTENTION !** Avant de brancher le Rover HVE, s'assurer que la manette est en position centrale (au neutre). Ensuite, démarrer

l'appareil à l'aide du commutateur inférieur à la droite du boîtier de commande près de la manette. Un voyant s'allume si le Rover HVE est allumé.

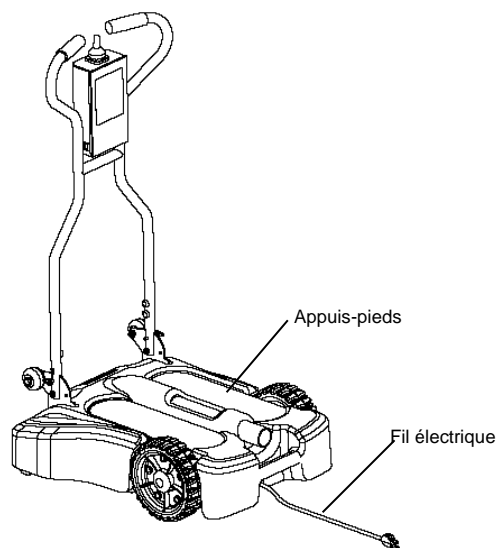
Nota : Utiliser un appareil d'extraction super puissant portable ou fixé au camion pour extraire le maximum.

### Démarrage

Pour extraire l'eau du tapis, avec ou sans sous-tapis, positionner le Rover HVE sur le tapis.

**AVIS !** Extraire de l'eau uniquement des tapis. Ne pas utiliser sur des surfaces dures. S'assurer que le glisseur n'a pas d'ébarbures ou de bouts coupants. S'il y en a, remplacer le glisseur en polymère. Ne pas faire fonctionner sans glisseur.

Pour de meilleurs résultats, poser les pieds à plat au centre des appuis-pieds (voir ci-dessus). Ne pas s'appuyer sur le mancheron ou la manette. Commencer l'extraction à basse vitesse (au premier tour) pour optimiser l'efficacité.



Stand with feet on center of footpads.

Tenir les deux parties du mancheron afin d'assurer l'équilibre. Faire fonctionner la manette avec une force minimale : un ou deux doigts suffisent. Pousser la manette vers l'avant pour faire avancer le Rover HVE, lâcher la manette pour l'arrêter. Tirer la manette vers soi pour reculer. Pousser la manette à droite ou à gauche pour aller dans la direction choisie.

**ATTENTION !** Toujours regarder dans la direction où on se dirige. Faire particulièrement attention près des escaliers ou autres obstacles. Ne pas passer sur le fil électrique : cela pourrait l'endommager et provoquer un danger d'électrocution.

### Conseils sur l'extraction

**AVIS !** Ne faire de l'extraction que des tapis pour protéger la tête d'extraction. Ne pas laisser la tête d'extraction toucher les pointes du plomb à picot. Ne pas faire passer la tête sur du métal ou des planchers durs. Si le glisseur en polymère a des

ébarbures ou des bouts coupants, il pourrait attraper des brins de fil et endommager les tapis.

**AVIS !** Éviter le délamination des tapis : Ne pas faire d'extraction excessive. Cesser d'extraire l'eau quand l'appareil en extrait peu. Ne pas laisser la tête d'extraction plisser, plier ou froisser des tapis non attachés.

**AVIS !** Ne pas laisser l'appareil frapper ou frotter les plinthes, plombs à picots, ou cloisons sèches. En proximité de matériaux fragiles, faire l'extraction uniquement avec un tube rallonge à tapis.

Raccorder le boyau et le fil avec du Velcro® pour que le boyau à extraction et le fil traient derrière pendant l'appareil est en marche.

### **AVIS ! Ne passez pas sur le boyau et le fil !**

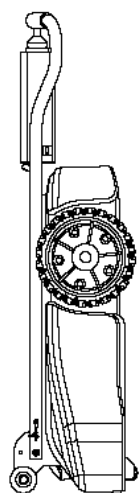
1. Au premier tour, faire fonctionner l'appareil à basse vitesse pour optimiser l'extraction. Commencer juste à l'entrée de la pièce où le boyau d'extraction entre, et continuer dans le reste de la pièce.

2. Suivre un parcours clair afin de passer partout sans repasser inutilement aux mêmes endroits,

3. Pendant l'extraction, faire chevaucher vos allées et venues pour de meilleurs résultats. Chevaucher environ la moitié de la largeur de la passe précédente, à chaque fois.

4. Pour faire tourner le Rover HVE, pousser doucement la manette dans la direction désirée. Ne pas conduire sur deux roues ou par secousses : cela pourrait causer le délamination du tapis.

5. Le Rover HVE peut avancer tout droit, reculer tout droit ou tourner en rond. De préférence, faire l'extraction dans le sens de la trame du tapis. Si le Rover HVE se met à dériver (c.-à-d., cesse d'aller dans la direction commandée par la manette), il faut le recalibrer. Pour ce faire, pousser simultanément la manette vers l'avant et la commande de calibration sous le boîtier de commandes (la commande de calibration est illustrée dans le dessin à la page **Error! Bookmark not defined.** ; chercher la marque qui indique sa place au centre du H dans l'étiquette du produit).

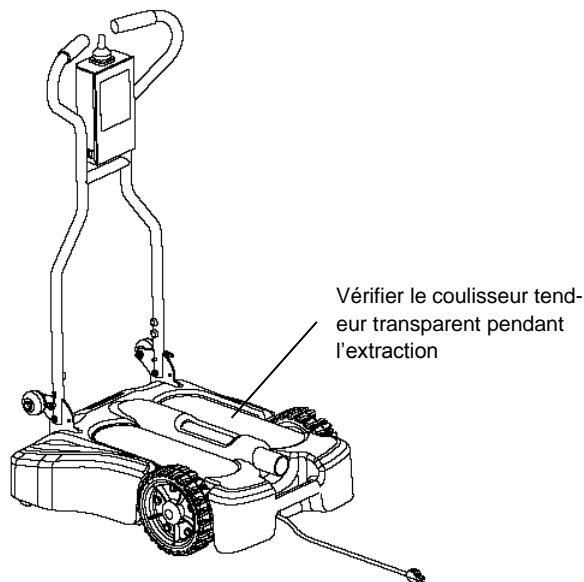


Attacher solidement les roues à traction en urethane au mur en position debout.

Entreposer solidement en position debout

6. Faire fonctionner l'appareil à basse vitesse si le tapis et le sous-tapis sont extrêmement mouillés, ensuite passer à la haute vitesse quand ils sont moins mouillés.

7. De temps en temps, vérifier le coulisseur tendeur transparent relié à la connexion au boyau. (voir ci-dessus à droite). Quand le coulisseur tendeur montre que l'appareil extrait peu d'eau, cesser l'extraction pour minimiser les chances de délamination du tapis.



Vérifier le coulisseur tendeur transparent pendant l'extraction

### Transport et entreposage

1. Pour préparer le Rover HVE au transport, au chargement sur un camion ou à l'entreposage, le poser d'abord à plat par terre (avec les petites roues frontales sur le dessus). Supporter la poignée d'une main et retirer les goupilles d'arrêt ancrées de l'autre. Puis replier la poignée à l'horizontale, et replacer les goupilles d'arrêt pour verrouiller la poignée. Soulever l'appareil par le mancheron et mettre l'appareil debout sur les roues frontales. Enrouler le fil électrique autour du bras, puis le ranger dans le compartiment à cet effet sous l'appareil. Utiliser les petites roues frontales pour faciliter le transport et le chargement de l'appareil tout en utilisant la poignée moulée.
2. Pour transporter le Rover HVE dans un camion, l'attacher solidement contre un mur (voir ci-dessus).

**AVIS !** Entreposer solidement en position debout pour éviter que des chocs endommagent le moteur, l'engrenage ou d'autres pièces internes.

### **CONNEXIONS ÉLECTRIQUES**

Cet appareil est conçu pour fonctionner avec une connexion de 115/60 Hz. S'assurer que la prise murale est mise à terre et que toutes les précautions de sécurité (décrites à la page 1 de ce manuel) sont en place .



## AVERTISSEMENT

### DANGER D'ÉLECTROCUTION

#### DANGER : ÉLÉMENTS MOBILES

**AVERTISSEMENT ! Éteindre et débrancher l'appareil avant l'entretien ou le déblaiement des obstructions.**

**AVERTISSEMENT ! Attendre que l'électricité se dissipe avant d'ouvrir le boîtier de commande.**

## ENTRETIEN

Toujours couper le courant avant l'entretien. Débrancher l'appareil avant toute procédure d'entretien.

### Entretien mensuel

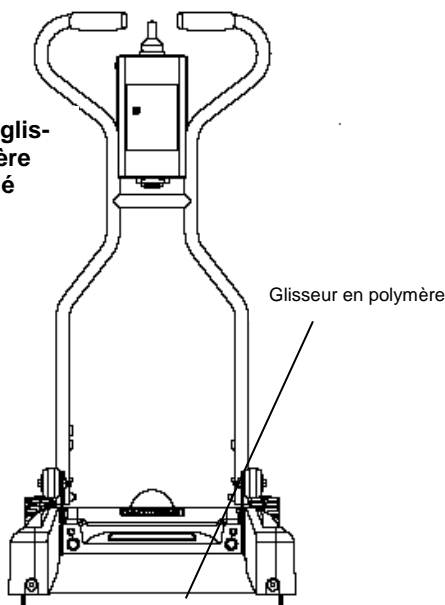
**INSPECTION DU SYSTÈME ÉLECTRIQUE :** Inspecter le fil et la prise électriques ; s'il y a des dommages, réparer ou remplacer.

**INSPECTER LES EXTRÊMITÉS DE L'EXTRACTEUR :** Avant et après usage, examiner les extrémités du glisseur en polymère (voir ci-dessus) pour voir s'il y a des ébarbures ou des bouts coupants qui pourraient attraper des brins de fil et endommager les tapis. Remplacer le glisseur en polymère s'il est endommagé. Commander des pièces de remplacement chez votre distributeur local. Si la tête d'extraction en acier inoxydable est endommagée, la poncer légèrement pour la lisser.

**INSPECTER LE GLISSEUR EN POLYMÈRE :** S'assurer que les trous du glisseur en polymère ne sont pas bouchés ou endommagés par des fibres de tapis, des poils d'animaux, de gros cailloux ou autres.

**GARDER L'APPAREIL PROPRE** Pour nettoyer le Rover HVE, passer de l'eau savonneuse sur toutes les parties de la base, y compris le couvercle, l'intérieur de la tête d'extraction et la connexion au boyau.

Examiner si le glisseur en polymère est endommagé



**AVERTISSEMENT !** Ne laisser pas passer d'eau par les trous d'accès aux commandes dans le boîtier de commande ou les moteurs. Essuyer l'extérieur du boîtier pour le nettoyer.

### Entretien de six mois

**INSPECTION DU SYSTÈME ÉLECTRIQUE :** Pour l'entretien, communiquer avec un centre de service autorisé ou le département d'entretien de Legend Brands, Inc. au 888-867-3235 ou 360-757-7776.

**VÉRIFIER LES COMPOSANTES MOTRICES :** Examiner s'il y a de la corrosion ou un mauvais alignement et inspecter tout le système.

**ATTENTION !** Attention aux points de pincement et aux ébarbures quand on manipule le couvercle en métal. L'inattention pourrait provoquer un accident. Communiquer avec un centre de service autorisé ou le département d'entretien de Legend Brands, Inc. pour toute question ou assistance.

**Entretien périodique (tous les 1 ou 2 ans, ou après 1 200 à 1 500 heures d'utilisation, le premier des deux prévalant)**

**REPLACER LES BROSSES DANS LES MOTEURS** Faire remplacer les brosses par un centre de service autorisé pour les protéger.

## DÉPANNAGE

Le glisseur en polymère est facile à nettoyer s'il est obstrué. Si l'ouverture du glisseur en polymère est bouché, utiliser du fil de fer pour déloger ce qui le bloque.

Pour toutes autres questions concernant le dépannage et l'entretien, communiquer avec un centre de service autorisé ou le département d'entretien de Legend Brands, Inc. au 888-867-3235 ou 360-757-7776.

## SPÉCIFICATIONS

Model	Rover HVE F354
Poids d'utilisation	67 lbs.   30 kg
largeur du passage d'extraction	19.75 in.   50.2 cm)
Dimensions (H x W xD)	45.7 x 22.0 x 27.6 in. 116.1 x 55.9 x 70.1 cm
Debout dimensions (H x W xD)	40.5 x 22.0 x 10.7 in. 102.9 x 55.9 x 27.2 cm
Contrôle de la vitesse	2 speed switch
Ampères	3.0 amps (1.5 DC), 115 volts 110 W   0.148 HP chaque moteur
Cordon	50 ft.   7.6 m
Limite de poids d'opérateur	300 lbs.   136 kg

Les spécifications pourraient changer sans avis. Certaines valeurs sont approximatives.



**MISE EN GARDE:** Ce produit et d'autres substances, qui peuvent être libérés dans l'air lors de l'utilisation, contiennent des produits chimiques, parmi lesquels le plomb et les phtalates, considérés par l'État de Californie comme vecteurs de cancer, d'anomalies congénitales ou d'autres troubles de la reproduction. Pour plus d'informations, rendez-vous sur [P65Warnings.ca.gov](http://P65Warnings.ca.gov)

POUR LES PIÈCES ET SERVICES, COMMUNIQUEZ AVEC VOTRE DISTRIBUTEUR LOCAL OU LE DÉPARTEMENT DU SERVICE DE LEGEND BRANDS, INC. AU 888-867-3235 OU (360) 757-7776